

FICHMAN FURNITURE AND RADIATOR COVERS

Radiator Cover Hutch Assembly Instructions

CAUTION: EDGES OF RADIATOR SCREENS ON THE REVERSE OF THE FRONT AND SIDES MAY HAVE SHARP EDGES. TO AVOID CUTS TO YOUR SKIN, DO NOT TOUCH THEM AND USE CARE WHEN HANDLING THESE PARTS.

CAUTION: TALL AND NARROW RADIATOR COVERS ARE MUCH LIKE PIECES OF FURNITURE AND CAN TIP OVER IF CHILDREN TRY TO CLIMB THEM, OR MAY BE EASY TO KNOCK OVER. IF THIS IS A POTENTIAL RISK IN YOUR HOME, TAKE CARE TO TEACH CHILDREN OF THIS DANGER, AND SECURE THE RADIATOR COVER TO YOUR WALL OR FLOOR. IF YOU ARE UNSURE HOW TO DO THIS, SEEK THE HELP OF A LOCAL CONTRACTOR.

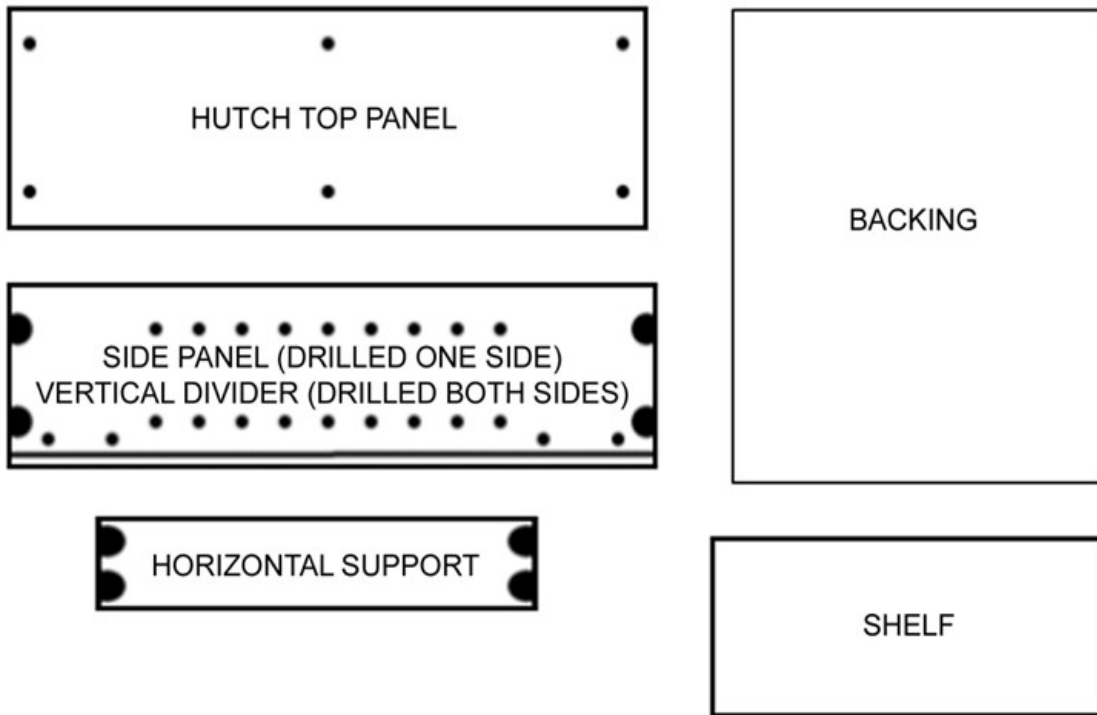
Tools Required: A Phillips Screwdriver (X) or a Slotted Screwdriver (-) and a rubber mallet or a hammer. Larger covers may need help from a buddy, do not attempt to lift anything that feels too heavy or difficult to balance. On vertical dividers, you'll have to install cams and screw dowels into both sides of the panel - be sure to do this on the protective packaging or some other protective surface so you don't scratch your work surface/floor with the dowels when they are facing down.

Step 1

Inspect the hutch package you received from Fichman Furniture and identify the following parts (quantities of parts will vary depending on the size of your radiator cover):

- Top panel: 1 part
- Side panels: 2 parts
- Horizontal supports: 2, 4 or 6 depending on the length of your radiator cover
- Vertical divider: 0, 1 or 2 depending on the length of your radiator cover
- Shelves: Quantity will vary depending on the size of the hutch
- Backings: 1 - 3 depending on the length of your radiator cover
- A bag of hardware: equal parts of Cams (a metal disc inserted in a plastic housing) and Dowels (short thin screws).

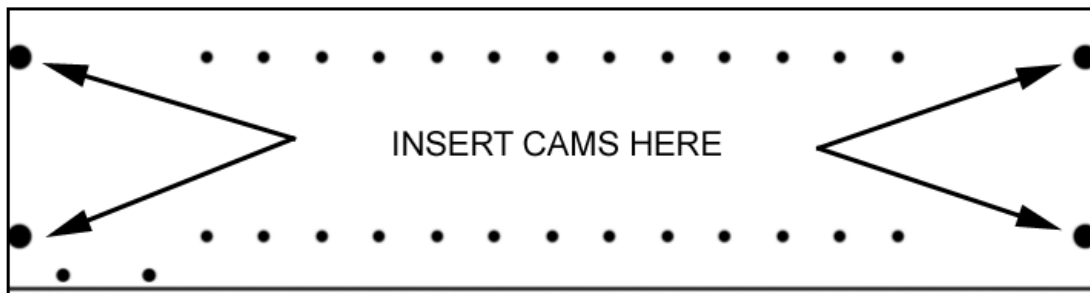
If any parts are missing or damaged, please contact us within 14 days of delivery to arrange for a replacement.

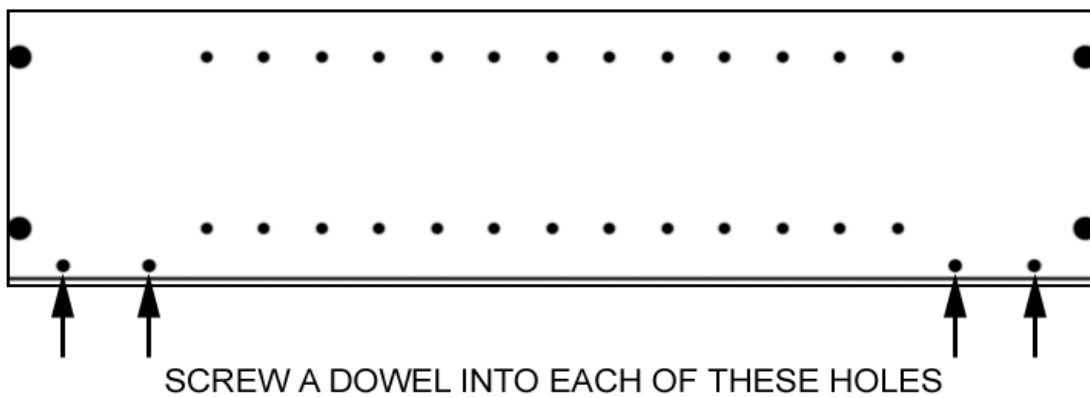
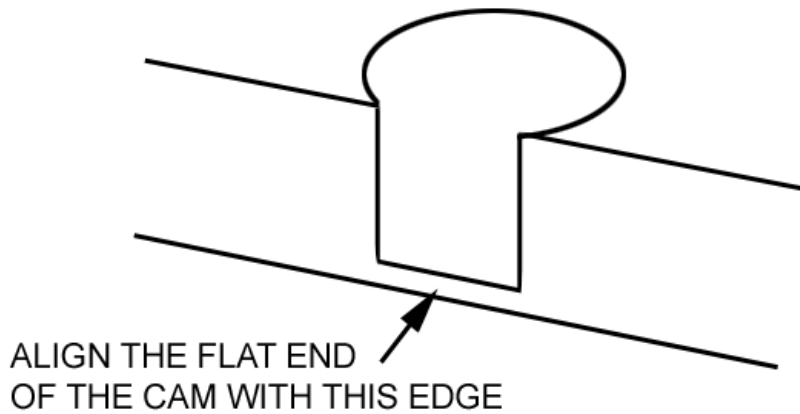


HUTCH PACKAGE CONTENTS - QUANTITIES OF PARTS WILL VARY DEPENDING ON THE SIZE OF YOUR RADIATOR COVER

Step 2

While placing each panel face down on a blanket or on the polyethylene packaging material to protect it from scratching on your floor, insert a cam into each of the pocket holes on each side panel and vertical divider (if applicable) while aligning the flat edge of the cam with the edge of each panel. You will have to tap the cam into position using very light taps. **IMPORTANT:** In between taps make sure that the cam's flat edge is aligned with the edge of the panel so that when fully inserted it lines up perfectly. Screw a dowel into each of the pairs of 5mm holes at the top and bottom of each of the side panels and vertical dividers (if applicable).





Step 3

Insert a cam into each of the pocket holes on the reverse of each horizontal support while aligning the flat edge of the cam with the edge of the horizontal support. You will have to tap the cam into position using very light taps. **IMPORTANT:** In between taps make sure that the cam's flat edge is aligned with the edge of the horizontal support so that when fully inserted it lines up perfectly.

Step 4

Position a horizontal support on the dowels of a side with the cams facing the groove in the side. Lock the cams in position with your screwdriver by turning them as tight as they will go (approximately a half turn). Install another horizontal support on the other pair of dowels. If you have vertical supports, lock the other side of the horizontal supports to the vertical divider. Continue this with the rest of the sides, vertical dividers and horizontal supports that you have.

Step 5

Screw a dowel into each of the 5mm holes in the top of your radiator cover. With help from your friend, lower the upper assembly of sides, horizontal supports and vertical dividers onto the radiator cover's top while aligning all of the cams with its matching

dowel. Lock all of the cams by turning them as tight as they will go (approximately half a turn).

Step 6

Slide a backing into each groove from above with the painted side facing forward.

Step 7

Screw a dowel into each of the 5mm holes in the bottom of the Hutch's top panel. Now lower the top panel onto the upper assembly while lining each dowel up with its matching cam. Lock all of the cams by turning them as tight as they will go (approximately half a turn).

Step 8

Insert four shelf clips per shelf into the cabinet, and snap a shelf into the clips by inserting one side of the shelf into the clips and then bringing the other side down until it snaps into position. To remove a shelf, clear it off, brace the cabinet with one hand and then pull the shelf forward with your other hand.

