

# FICHMAN FURNITURE & RADIATOR COVERS

## Radiator Cover Assembly Instructions – Easy Assembly in 5 Minutes

**CAUTION:** EDGES OF RADIATOR SCREENS ON THE REVERSE OF THE FRONT AND SIDES MAY HAVE SHARP EDGES. TO AVOID CUTS TO YOUR SKIN, DO NOT TOUCH THEM AND USE CARE WHEN HANDLING THESE PARTS. TALL AND NARROW RADIATORS ARE MUCH LIKE PIECES OF FURNITURE AND CAN TIP OVER IF CHILDREN TRY TO CLIMB THEM. IF THIS IS A POTENTIAL RISK IN YOUR HOME, TAKE CARE TO TEACH CHILDREN OF THIS DANGER, AND SECURE THE RADIATOR COVER TO YOUR WALL OR FLOOR. IF YOU ARE UNSURE HOW TO DO THIS, SEEK THE HELP OF A LOCAL CONTRACTOR.

**Tools Required:** A Phillips Screwdriver ( X ) or a Slotted Screwdriver ( - ). When assembling larger radiator covers you may need help from a friend, do not attempt to lift anything that feels too heavy or difficult to balance.

### Step 1

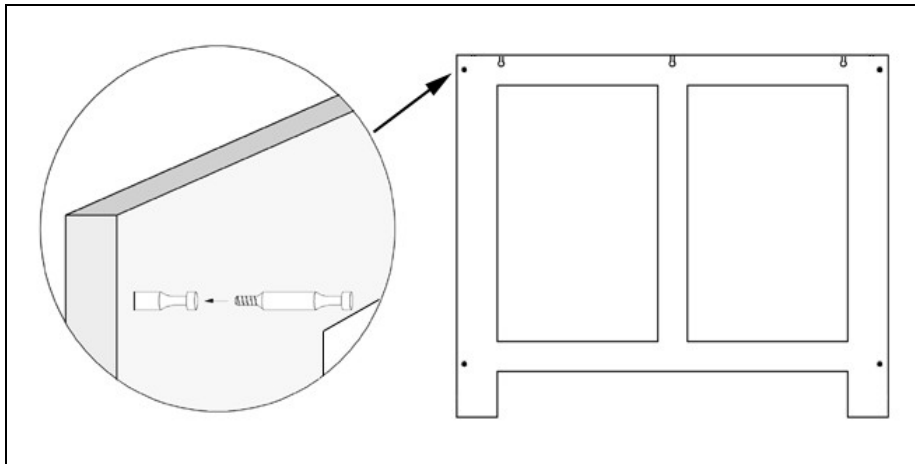
Inspect the package you received from Fichman Furniture and identify the following parts:

- One front panel
- Two side panels
- The top
- A bag of hardware: equal parts of Cams (short round cylinders) and Dowels (long thin screws).

If any parts are missing or damaged, please contact us within 14 days for a replacement.

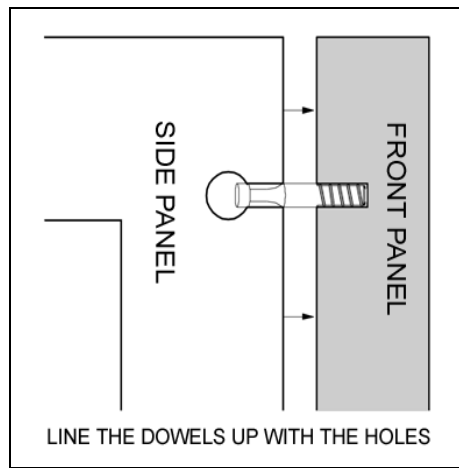
### Step 2

Place the front panel face down on a blanket or on the polyethylene packaging material to protect it from scratching on your floor. Screw a Dowel into each of the 5mm holes in the back of the front panel (there are 4 – 6 depending on the height of your radiator cover). Tighten until fully seated.



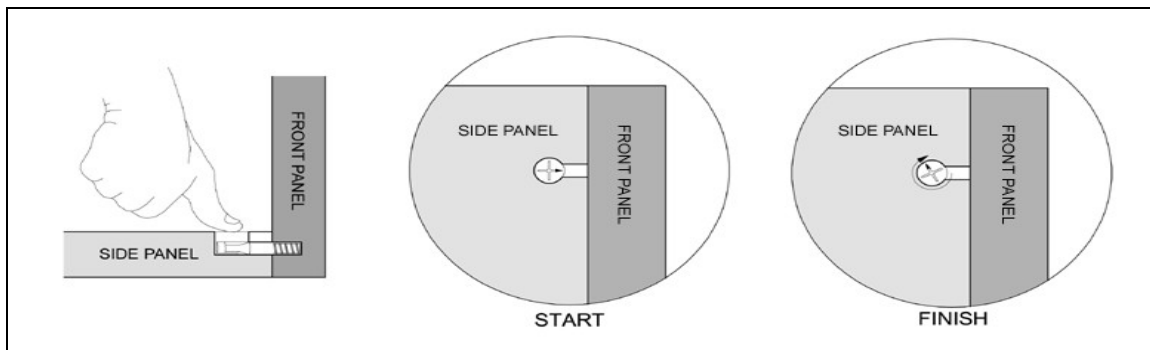
### Step 3

Stand the front panel up on its feet and slide each of the side panels over the dowels. There are holes on the narrow legs of the side panels that line up with the dowels.



#### Step 4

With the front and side panels all standing, slide a Cam into each hole along the front legs of the side panels to grip the dowels from the face frame. The Cams should be installed with the “X” facing you and with the arrow in the “X” pointing towards the front panel. With your screwdriver, tighten each Cam while aligning the side and front panels for a smooth and flush fit.



#### Step 5

Place the top upside down on your blanket or protective packaging material and screw a Dowel into each of the 5mm holes.

#### Step 6

Carefully place the top on the standing front and side panels while aligning the dowels to each of the holes in the top of the panels.

#### Step 7

Slide a Cam into all of the holes along the top of the inside of the front and side panels. The Cams should be installed with the “X” facing you and with the arrow in the “X” pointing towards the front panel. With your screwdriver, tighten each Cam.

#### Step 8

Slide the cover over your radiator and enjoy!